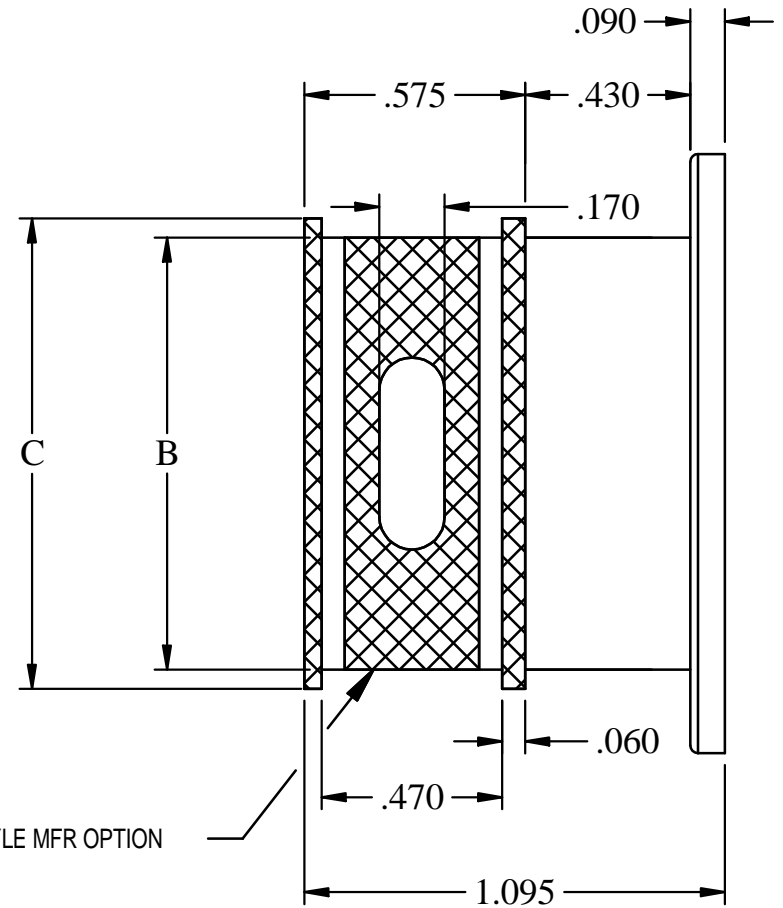
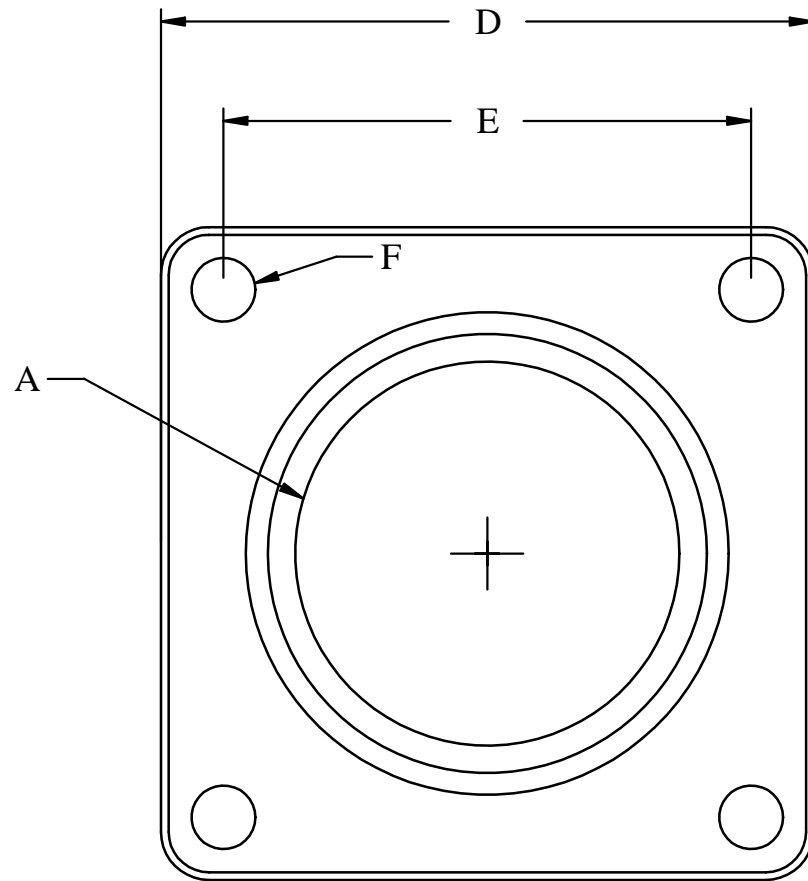


# DRAWING ISO 110180 REV. "E"



**ISODYNE INC**

7706 E. OSIE - WICHITA, KS. 67207

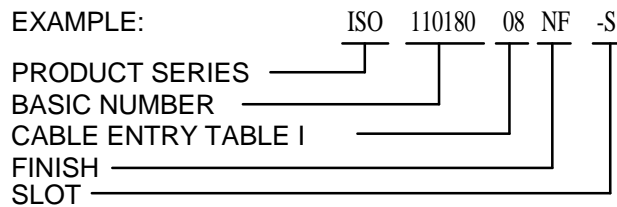
U.S. PATENT # 5,769,665

CAGE CODE # 031M6

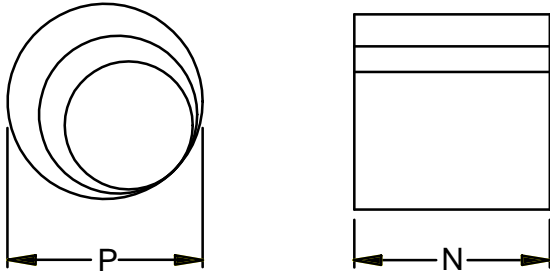
BACKSHELL, EMI / RFI  
SPRING BAND

### PART NUMBER BREAKOUT

EXAMPLE:



NOTE:  
MATERIAL AND FINISH PER ISODYNE 1000



**SPRING BAND DIMENSIONS**

PART #	P	N	CABLE ENTRY
ISO - 100	0.36	0.37	02 THRU 33
ISO - 200	0.57	0.37	04 THRU 36
ISO - 400	0.78	0.37	07 THRU 09
ISO - 500	0.98	0.37	10 THRU 12
ISO - 600	1.25	0.37	13 THRU 16

**ISODYNE INC**

7706 E. OSIE – WICHITA, KS. 67207

U.S. PATENT # 5,769,665

CAGE CODE # 031M6

BACKSHELL, EMI / RFI  
SPRING BAND

**TABLE I**

CABLE ENTRY	A	B	C	D Sq	E	F DIA
01	0.125	0.250	0.450	0.875	0.594	0.125
31	0.188	0.312	0.512	0.875	0.594	0.125
02	0.250	0.375	0.575	0.875	0.594	0.125
32	0.312	0.438	0.638	1.000	0.719	0.125
03	0.375	0.500	0.700	1.000	0.719	0.125
33	0.438	0.562	0.762	1.094	0.812	0.125
04	0.500	0.625	0.825	1.094	0.812	0.125
34	0.562	0.688	0.888	1.188	0.906	0.125
05	0.625	0.750	0.950	1.188	0.906	0.125
35	0.688	0.812	1.012	1.281	0.969	0.125
06	0.750	0.875	1.075	1.281	0.969	0.125
36	0.812	0.938	1.138	1.375	1.062	0.125
07	0.875	1.000	1.200	1.500	1.166	0.156
37	0.938	1.062	1.262	1.500	1.166	0.156
08	1.000	1.125	1.325	1.500	1.166	0.156
38	1.062	1.188	1.388	1.625	1.250	0.156
09	1.125	1.250	1.450	1.750	1.375	0.156
10	1.250	1.375	1.578	1.812	1.500	0.156
11	1.375	1.500	1.700	2.000	1.562	0.188
12	1.500	1.625	1.825	2.250	1.750	0.188
13	1.625	1.760	1.950	2.250	1.750	0.188
14	1.750	1.875	2.075	2.500	1.938	0.188
15	1.875	2.000	2.200	2.500	1.938	0.188
16	2.000	2.125	2.325	2.750	2.126	0.188